

TOSHIBA

Leading Innovation >>>



- 30 & 50 KVA
- Line-Up-&-Match Ancillary Equipment: Transformer & Battery/MBS Cabinets
- Zero Rear Clearance Required
- Enhanced Remote Monitoring
- New Local Touch-Screen Interface
- State-of-the-Art Electronic Battery Isolation
- Wide Input Voltage/Frequency Window
- Improved Efficiency Across Entire Load Range
- Small Footprint & Light-Weight Design to Maximize Free Space
- Complete Front Access Design with Top, Front, & Side Entry
- Three-Year Warranty for Lower Cost of Ownership
- 0.9 Output Power Factor

4300 SERIES

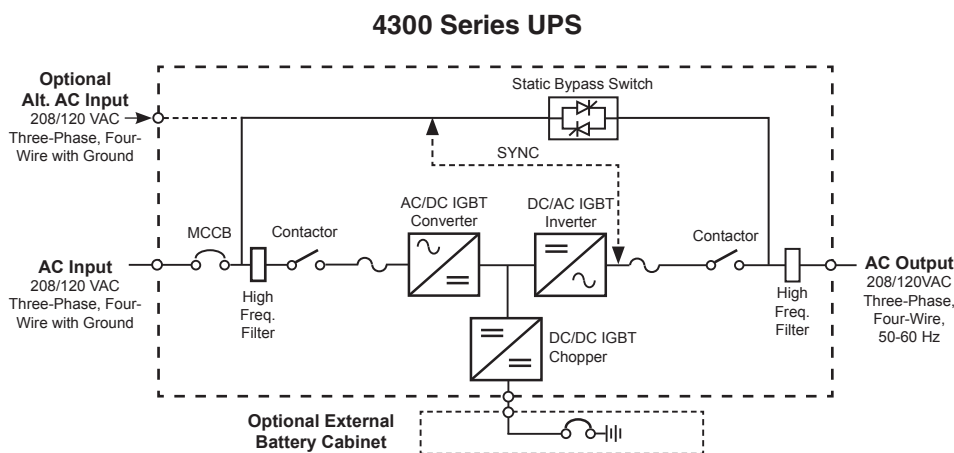
UNINTERRUPTIBLE POWER SYSTEMS



4300 SERIES



MODEL	Model Number	4310F3F300XAXX	4310F3F500XAXX
	Capacity	30 KVA/27 KW	50 KVA/ 45 KW
	Topology	True On-Line, Double Conversion, & All IGBT Technology	
INPUT	Voltage	208/120 V: Three-Phase, Four-Wire + Ground/Bypass Input; 208/120 V: Three-Phase, Four-Wire + Ground	
	Voltage Range	208 V, -20% to +15% (166 to 239 V Without Using Battery)	
	Power Factor	> 0.99	
	Current THD	< 3% at 100% Load	
	Frequency	50 ±5 Hz; 60 ±5 Hz	
	OUTPUT	Voltage	208/120 V: Three-Phase, Four-Wire + Ground
Frequency		50/60 Hz, ±0.1% (Can be Used as Frequency Converter)	
Voltage Regulation		±1.0% (0.5% Typical)	
Power Factor		0.9 Lagging	
Overload		Inverter: 125% for 90 Seconds, 150% for 30 Seconds Bypass: 125% for 10 Minutes, 1000% for 10 Milliseconds	
BATTERY	DC Link	288 VDC	
	Ripple Voltage	< 0.5% DC	
ENVIRONMENT	Temperature Range	32° to 104°F (0° to 40°C)	
	Relative Humidity	5% to 95% Non-Condensing	
	Heat Rejection	8153 BTUs/Hour	15,019 BTUs/Hour
	Full-Load Efficiency	91.9%	91.1%
	25% Load Efficiency	88.0%	88.8%
	Altitude	6600 ft. (2000 m) Maximum Without Derating	
	Audible Noise	< 65 dBA at 1m Air Filtration; Standard Front Air Filter	
	DIMENSIONS	Dimensions	22.1 x 31.6 x 73.6 in. (73.7 in. (H) with Fan Cage)
Weight		788 lbs.	867 lbs.
COLOR	O'Brien Black (Textured Powder Coat)		
COMMUNICATION OPTIONS	RemotEye® III & Ethernet/SNMP		
OPTIONS	Dual-Input Feed		
STANDARDS	UL 1778, ULC, CE, FCC Class A, ISO9001, ISO14001, ANSI C62.41 (IEEE 587), & NEMA PE 1-1993		
WARRANTY	Three-Years On-Site Warranty; Five-Years Available; See Toshiba Warranty Policy for Full Details		
SERVICE	24-Hour, 365-Day Technical Support: 1-877-867-8773		
<i>Specifications subject to change without notice.</i>			



4300 UPS Dimensions



TOSHIBA INDUSTRIAL PRODUCTS:

- Uninterruptible Power Systems
- Adjustable Speed Drives
- Motors
- Motor Controls
- Instrumentation & PLCs

TOSHIBA
Leading Innovation >>>

www.toshiba.com/ups