

Uninterruptible Power Systems



CT

4200FA Series

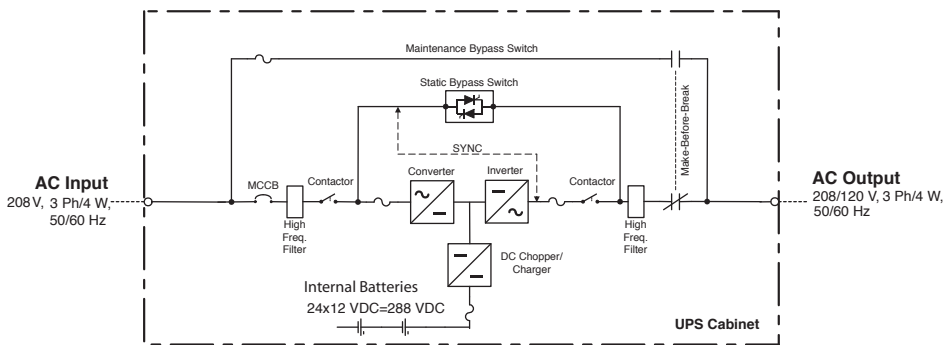
15/25/30/50 KVA UPS

3 Year
Warranty

- True On-Line, Double-Conversion UPS
- Input Power Factor > 0.99
- Input Current THD < 3%
- Wide Input Voltage Window +20% to -30%
- Wide Input Frequency Window 45 to 65 Hz
- All IGBT 16 KHz Design (Rectifier/DC Converter/Inverter)
- Electronic Power Factor Correction for 100% Generator Compatibility
- Complete Front Access for Installation, Operation, & Service
- Internal Batteries
- Internal Maintenance Bypass Switch
- 100% Unbalanced Load Capability
- SNMP/Web-Based Monitoring

4200FA CT 15/25/30/50 KVA UPS

Model Number		T42F3F150XAMB N	T42F3F250XAMB N	T42F3F300XAMB N	T42F3F500XAMB N
Capacity	KVA/KW	15/12	25/20	30/24	50/40
Topology	True On-Line, Double-Conversion, IGBT PWM, with Active Input Power Factor Correction				
Input	Voltage	208/120 V, Three-Phase, Four-Wire + Ground			
	Voltage Range	+10% to -30%; +20% to -30% Online (Without Utilizing Battery)			
	Power Factor	Greater than 0.99			
	Current THD	Less than 3%			
	Frequency	50/60 Hz (Range 45 to 65 Hz)			
	Current Limit	115% Maximum			
Output	Voltage	208/120 V, Three-Phase, Four-Wire + Ground			
	Frequency	50/60 Hz \pm 0.01% (Can be Used as Frequency Converter)			
	Voltage Regulation	< 1% Balanced, 100% Load Step/< 2% Unbalanced, 100% Load Step			
	Overload (Inverter)	125% for 90 Seconds; 150% for 30 Seconds			
	Overload (Bypass)	125% for 10 Minutes; 1000% for 10 Minutes per Second			
Battery	Time (Full/Half Load)	9/26 Minutes	4/13 Minutes	3/10 Minutes	4.5/14 Minutes
	DC Link	288 VDC			
	Ripple Voltage	< 0.5% DC			
Environment	Temperature Range	0° to 40°C Operating/-20° to +50°C Storage			
	Relative Humidity	0 to 95% Non-Condensing			
	Heat Rejection	8988 BTUs	12,043 BTUs	14,451 BTUs	18,611 BTUs
	Efficiency	82% AC-AC 86% DC-AC	85% AC-AC 87% DC-AC	88% AC-AC 89% DC-AC	89% AC-AC 88% DC-AC
Dimensions	Dimensions (L x D x H)	20" x 36.3" x 59.8"			35.5" x 38.3" x 59.3"
	Weight (lbs.)	900	910	915	2548
	Altitude	6600 ft. (2000 m) (Maximum Without Derating)			
	Audible Noise	< 60 DBA at 1 m			< 65 DBA at 1 m
Features	Internal Make-Before-Break Maintenance Bypass Switch, RS232, and Dry Contact Interface				
Standards	UL 1778, cUL, NEC, ISO9001, ISO14001, ANSI C62.41 (IEEE 587), NEMA PE1-1993				
Warranty	See Toshiba Warranty Policy for Full Details				
Service	7 x 24 Technical Support 1-877-867-8773				



UPS ADJUSTABLE SPEED DRIVES MOTORS CONTROLS INSTRUMENTATION PLC

TOSHIBA

TOSHIBA INTERNATIONAL CORPORATION

INDUSTRIAL DIVISION

13131 West Little York Road, Houston, Texas 77041

Tel 713/466-0277 Fax 713/466-8773

US 800/231-1412 Canada 800/872-2192 Mexico 001/800/527-1204

www.toshiba.com/ind

Copyright 5/2010

Available Through:

