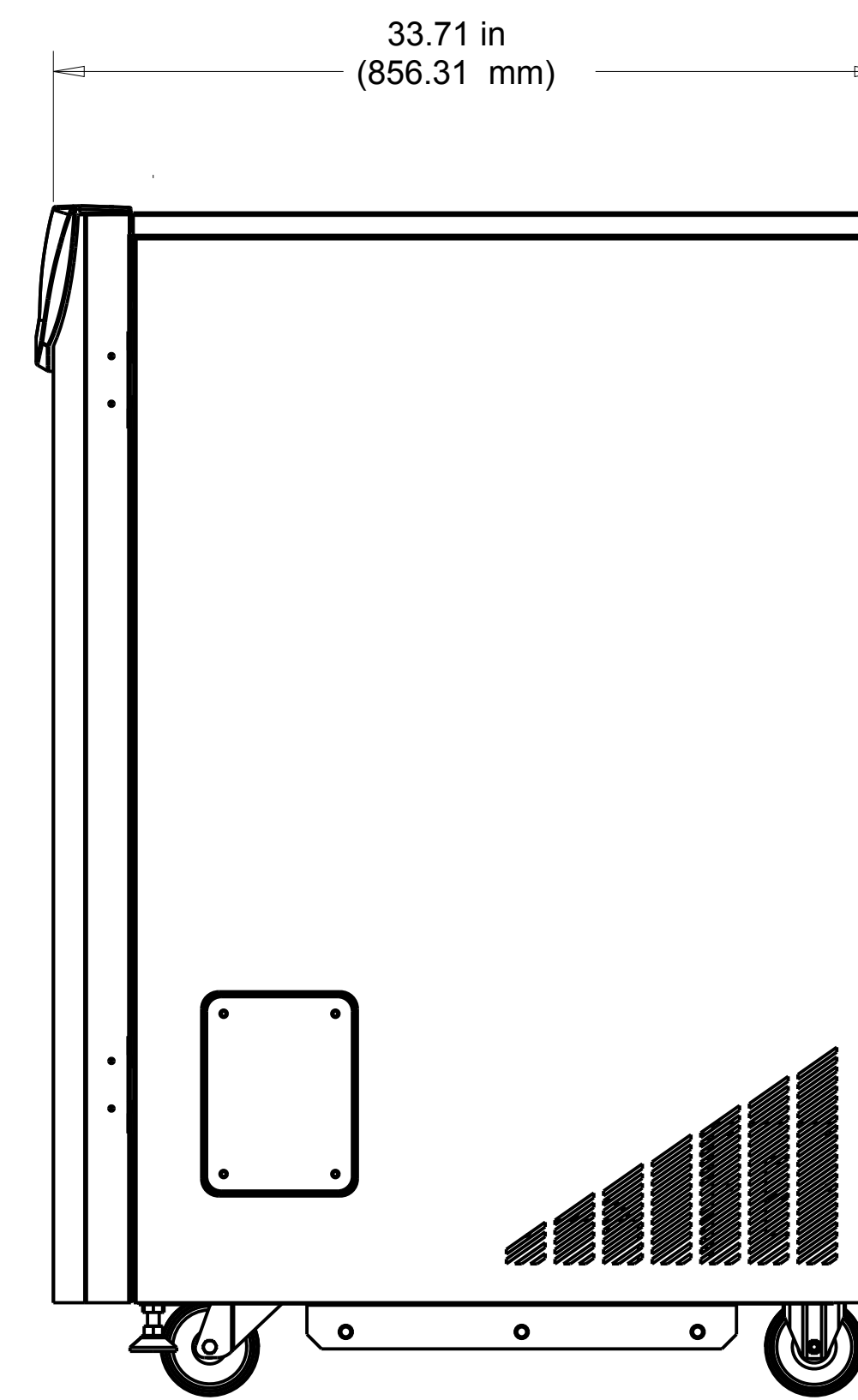
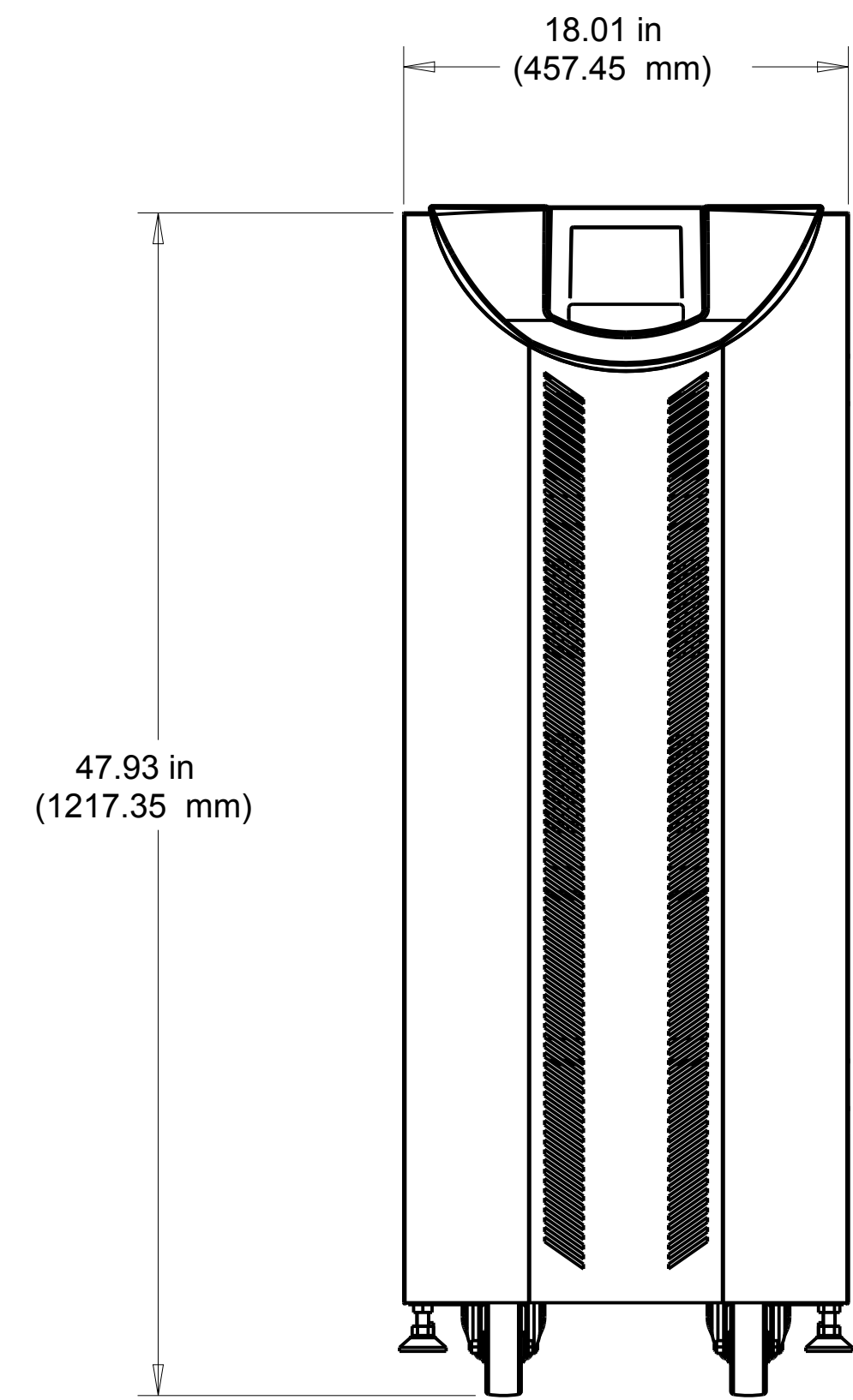


REV	ECO	CHANGE DESCRIPTION	ENG	DATE	APP'D
A		NEW RELEASE	DSL	02-JUN-11	DSL



TOLERANCE: XX=±.02 XXX= ± .010	POWERVER INC.	SIZE: D
MATERIAL: N/A	FILE:	PAGE 1 OF 1
FINISH: N/A	SPEC SHEET, DIMENSIONS, 10/20KVA 3200 SERIES	
SCALE: 0.150	BY: DSL	DWG No: A03-00037
		REVISION: A